

RIGHT OF WAY PERMIT



City of Des Peres
12325 Manchester Road
Des Peres, Missouri 63131
314-835-6130

- \$50.00 PERMIT FEE
- \$500.00 STREET DEPOSIT (OR AMOUNT TO REPLACE PAVEMENT, WHICHEVER IS GREATER)

PERMISSION IS HEREBY GRANTED TO: _____

PRINT COMPANY AND CONTACT NAME

ADDRESS

PHONE

TO EXCAVATE WITHIN THE PUBLIC RIGHT OF WAY FOR THE PURPOSE OF:

ADJACENT TO STREET ADDRESS: _____

BETWEEN THE DATES OF: _____

THE AREA TO BE DISTURBED IS: _____

(Please indicate yard, street, sidewalk, or other)

_____ FT x _____ FT

DESCRIPTION OF LOCATION: _____

(Example: Distance from Curb or Feet from Property Line)

SUBJECT TO PERMIT HOLDER'S COMPLIANCE WITH ALL PROVISIONS OF CHAPTER 18, §18-4 OF THE CODE OF ORDINANCES OF THE CITY OF DES PERES REGULATING EXCAVATIONS AND ESTABLISHING PERMIT FEES GOVERNING EXCAVATIONS.

INSPECTION RECORD:

DATE:

INSPECTOR:

LOCATION & PROTECTION (SEE SAFETY REGULATIONS) _____

GRANULAR BACKFILL/FLOWABLE FILL INSPECTION _____

PAVING RESTORATION INSPECTION _____

FINAL INSPECTION (SIX MONTHS AFTER RESTORATION) _____

*EXTRA INSPECTIONS \$25.00/EACH

YOU MUST NOTIFY THE STREET SUPERINTENDENT, DAVE HAHN, 314-835-6226, AT LEASE ONE FULL WORKING DAY IN ADVANCE OF TIME AND DATE OF EXCAVATION REFILLING AND ALSO PAVEMENT RESTORATION. FAILURE TO DO SO OR INITIALIZATION OF REFILLING OR REPAVING WORK WITHOUT THE STREET SUPERINTENDENT OR HIS REPRESENTATIVE BEING PRESENT SHALL BE GROUNDS FOR FORFEITURE OF THE ENTIRE DEPOSIT FEE.

REQUIREMENTS:

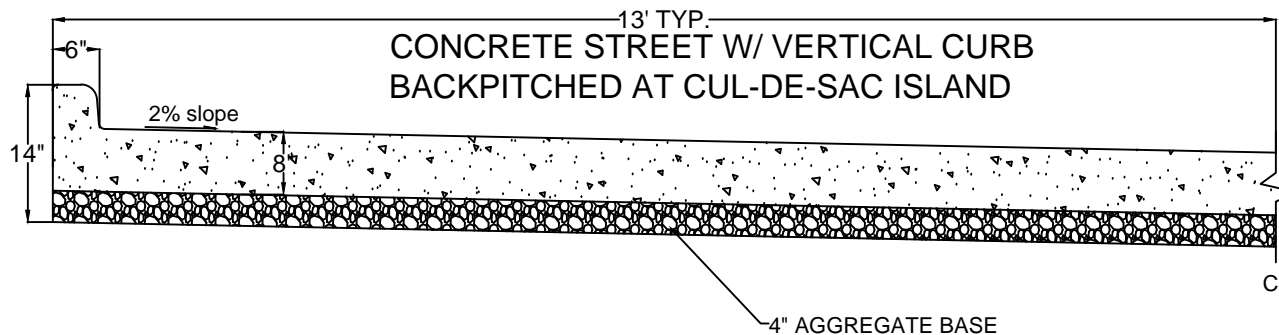
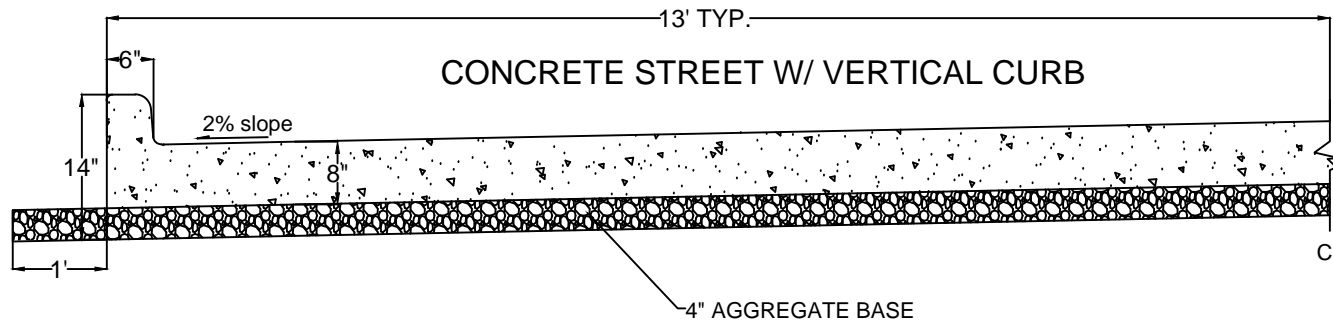
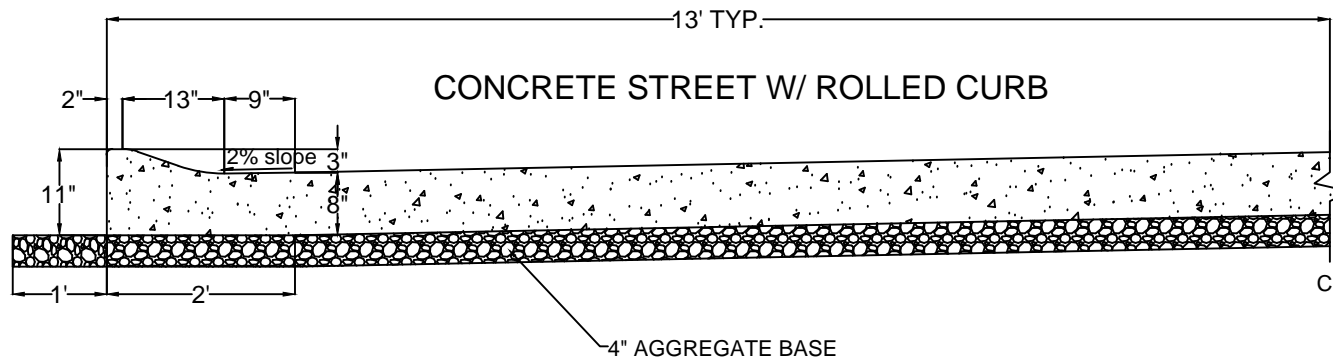
- BARRICADES & TAPING MUST SURROUND ALL HOLES LEFT OPEN WHEN NO WORK IS BEING PERFORMED.
- OPEN EXCAVATION TIME MUST BE KEPT TO A MINIMUM
- ALL AREAS UNDER STREETS & SIDEWALKS MUST BE BACKFILLED WITH ROCK AND FLOWABLE FILL, PER THE STANDARD DRAWINGS
- ALL NEW PAVEMENTS MUST MEET THE REQUIREMENTS OF THE STANDARD DRAWINGS UNLESS AN EXCEPTION IS GIVEN BY THE DIRECTOR OF PUBLIC WORKS
- DIRT AREAS MUST BE RESEEDDED OR SODDED, AND WORK IS NOT CONSIDERED COMPLETE UNTIL GRASS HAS REACHED A HEIGHT OF 2 INCHES.
- ALL CONCRETE SLABS MUST BE REPLACED TO THE NEAREST JOINT. ONLY FULL SLABS; NO PARTIAL SLABS.
- COMPLETE CLOSURE OR BLOCKAGE OF A STREET IS NOT PERMITTED UNLESS SPECIAL EXCEPTION IS GRANTED BY THE DIRECTOR OF PUBLIC WORKS IN ADVANCE OF THIS WORK.
- DEPOSITS WILL BE RETAINED A MINIMUM OF 3 MONTHS TO ENSURE THAT ADDITIONAL CORRECTIONS ARE NOT NEEDED.
- SEE SPECIAL REQUIREMENTS FOR ABOVE GROUND BOXES PER §18-13(3)B.

FOR CITY USE ONLY

PERMIT NUMBER:	_____
ISSUED BY:	_____
ISSUE DATE:	_____



STANDARD DETAILS
TYPICAL SECTION
CONCRETE STREETS



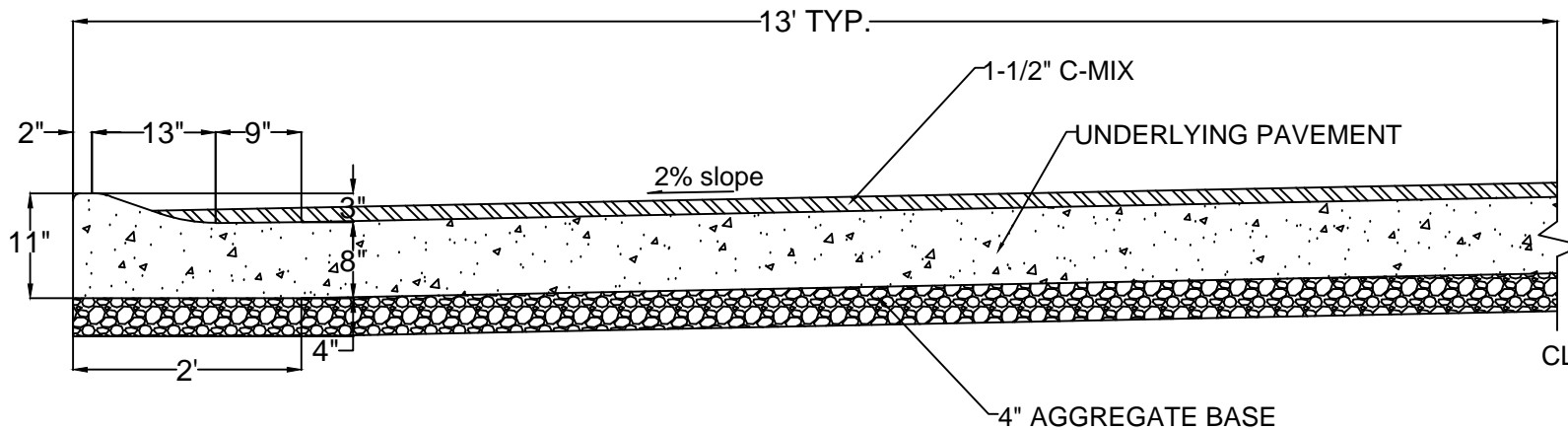
1. Concrete shall be a six sack mix with Meramec sand and gravel (maximum size 1"), shall attain a strength of 3,000 psi in 5 days and 4,000 psi in 28 days, and shall have a 3.5" +/- 0.5" slump permitted, 4%-7% air entrained.
2. All replacements must be full slab replacements to the full depth joint.
3. Cure by spraying Type 2 (pavement) curing compound at a rate of 200 SF/gal
4. Contractor shall notify Public Works (835-6226) 24 hours in advance of pouring for inspection.

Revisions	Name	
	Date	

Checked By: **SAM**
 Drawn By: **SAM**
 Drawing Scale: **NTS**
 Sheet Number: **SD-2**



CONCRETE STREET W/ ROLLED CURB, OVERLAID



1. Concrete shall be a six sack mix with Meramec sand and gravel (maximum size 1"), shall attain a strength of 3,000 psi in 5 days and 4,000 psi in 28 days, and shall have a 3.5" +/- 0.5" slump permitted, 4%-7% air entrained.
2. All replacements must be full slab replacements to the full depth joint.
3. Cure by spraying Type 2 (pavement) curing compound at a rate of 200 SF/gal
4. Contractor shall notify Public Works (835-6226) 24 hours in advance of pouring for inspection.

UPDATED 4/11/2016

STANDARD DETAILS
TYPICAL PAVEMENT SECTION
COMPOSITE ASPHALT ON CONCRETE

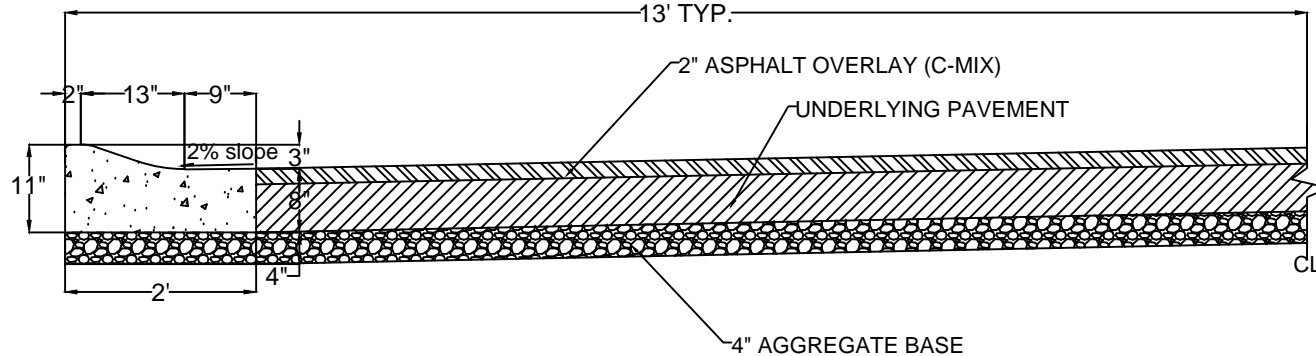
Revisions	Date	Name

Checked By: **SAM**
 Drawn By: **SAM**
 Drawing Scale: **NTS**
 Sheet Number: **SD-3**

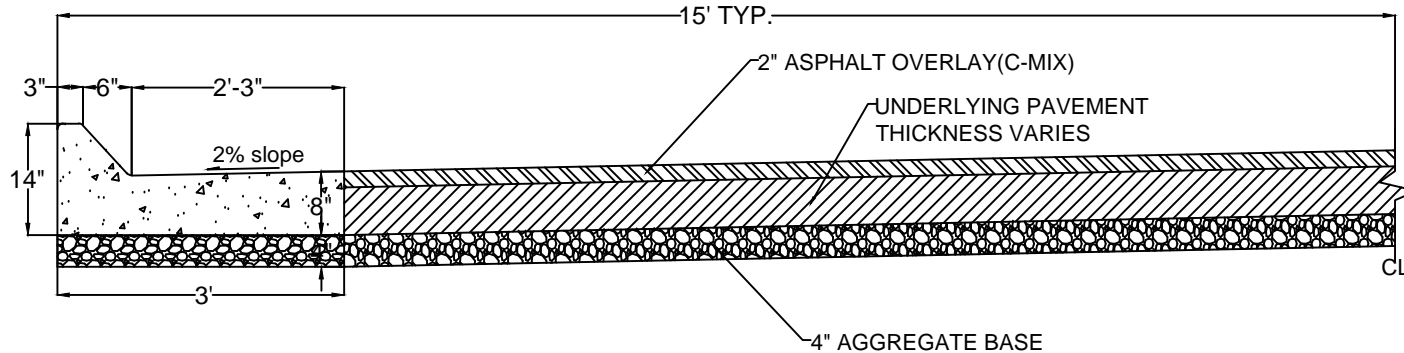


STANDARD DETAILS
TYPICAL PAVEMENT SECTION
ASPHALT STREETS

ASPHALT STREET W/ ROLLED CURB



ASPHALT STREET W/ MOUNTABLE CURB (BOPP RD)



SPECIFICATIONS:

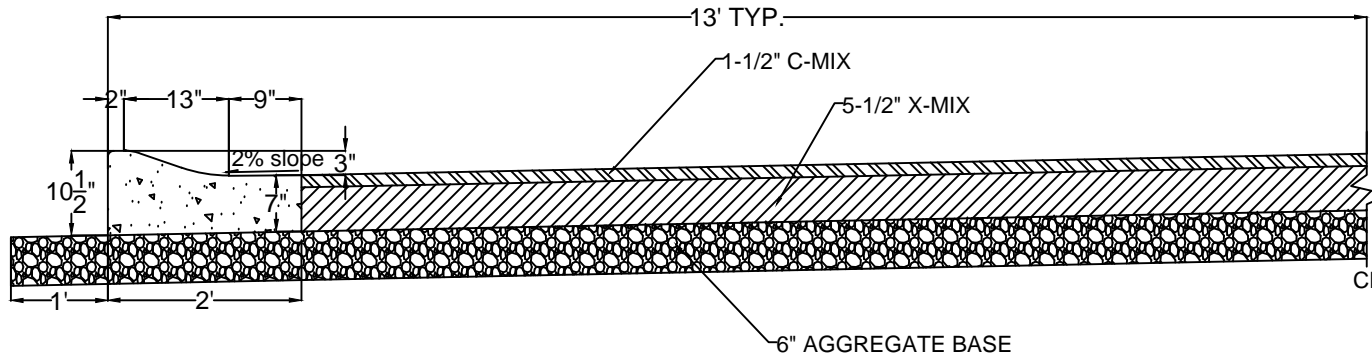
- 1) Concrete shall be 6-sack mix with Meramec sand and gravel (max. size 1"), shall attain strength of 3500 p.s.i. in 5 days, 4000 p.s.i. in 28 days, and shall have 3.5" +/- 0.5" slump permitted, 4%-7% air entrained.
- 2) Curing shall be accomplished by spraying Type 1-D (curb & sidewalks) curing compound at the rate of 200 S.F. per gallon.
- 3) Contractor shall notify Public Works (835-6226) 24 hours in advance of pouring concrete or laying asphalt for inspection.

UPDATED 4/11/2016

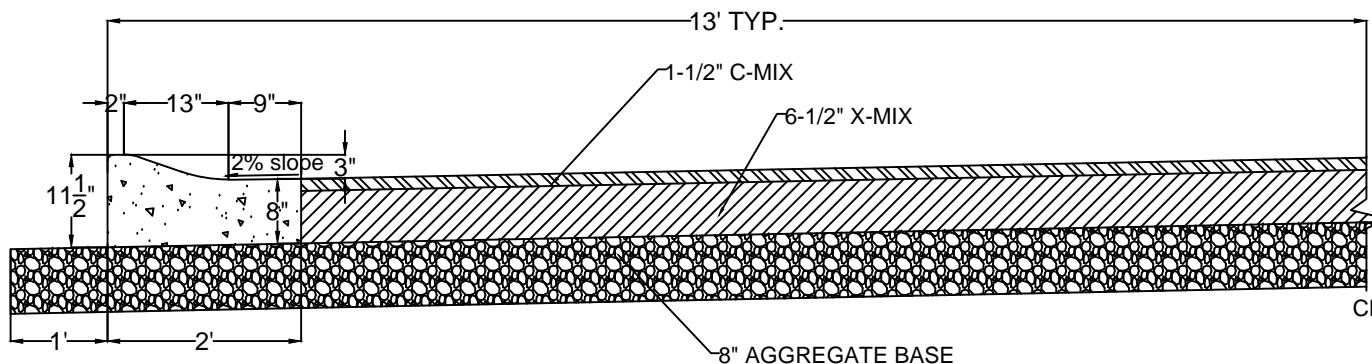
Revisions		
	Date	Name

Checked By: SAM
 Drawn By: SAM
 Drawing Scale: NTS
 Sheet Number: SD-4

NEW CONSTRUCTION-MINOR STREETS
ASPHALT STREET W/ ROLLED CURB



NEW CONSTRUCTION-COLLECTORS/ARTERIALS
ASPHALT STREET W/ ROLLED CURB



SPECIFICATIONS:

- 1) Concrete shall be 6-sack mix with Meramec sand and gravel (max. size 1"), shall attain strength of 3500 p.s.i. in 5 days, 4000 p.s.i. in 28 days, and shall have 3.5" +/- 0.5" slump permitted, 4%-7% air entrained.
- 2) Curing shall be accomplished by spraying Type 1-D (curb & sidewalks) curing compound at the rate of 200 S.F. per gallon.
- 3) Contractor shall notify Public Works (835-6226) 24 hours in advance of pouring concrete or laying asphalt for inspection.

UPDATED 4/11/2016

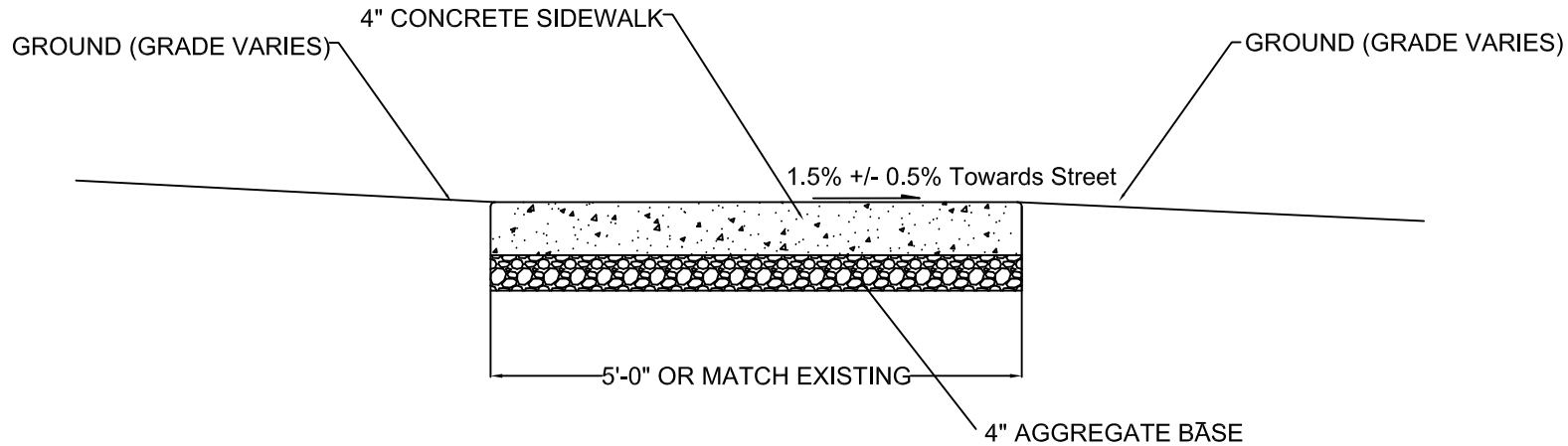


STANDARD DETAILS
PAVEMENT SECTION
NEW ASPHALT STREETS

Revisions	Name	
	Date	

Checked By: **SAM**
 Drawn By: **SAM**
 Drawing Scale: **NTS**
 Sheet Number: **SD-5**

SIDEWALK DETAIL



STANDARD DETAILS
SIDEWALK SECTION

SPECIFICATIONS:

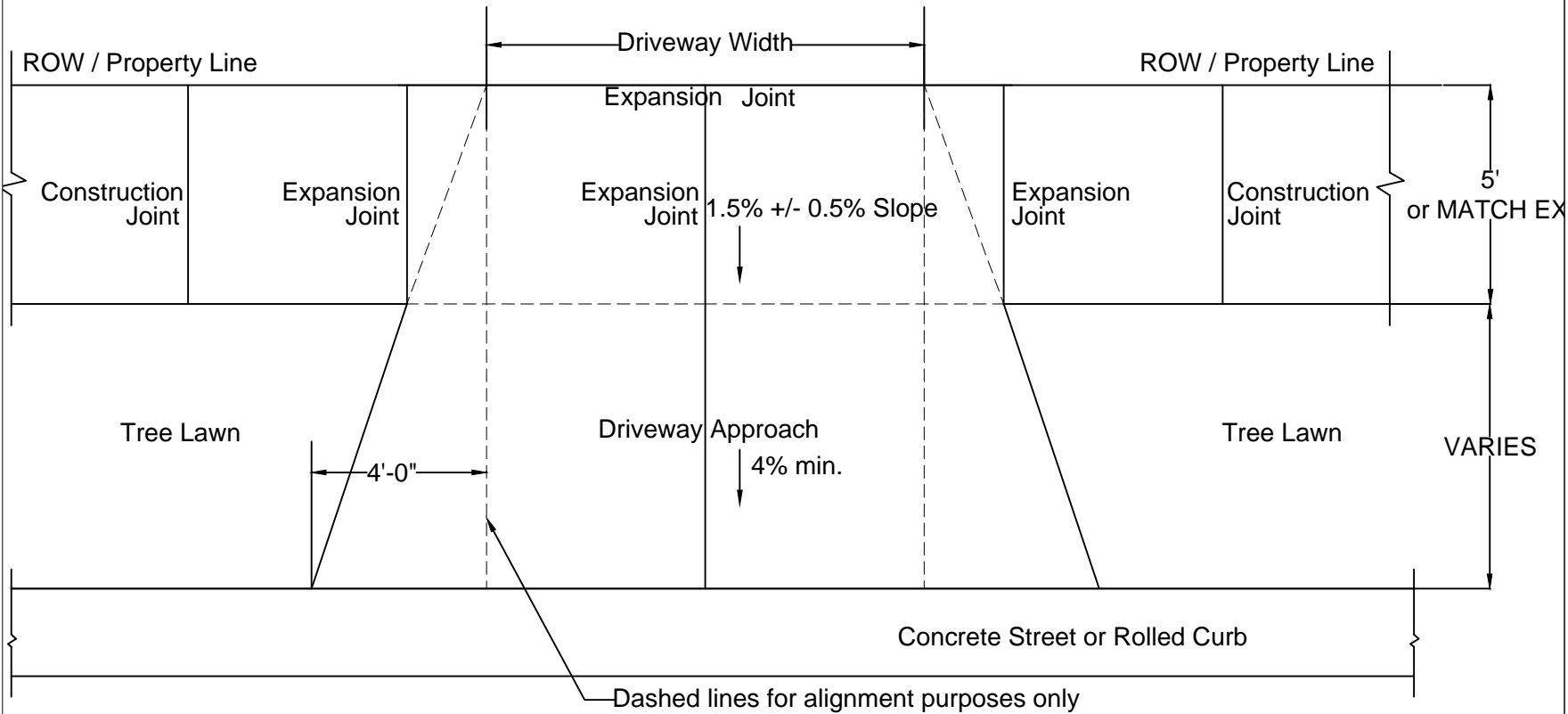
- 1) Concrete shall be 6-sack mix with Meramec sand and gravel (max. size 1"), and shall have a 3.5" +/- 0.5" slump permitted, 4%-7% air entrained. COLOR AND TEXTURE OF SIDEWALK SHALL MATCH EXISTING.
- 2) Curing shall be accomplished by spraying Type 1-D curing compound at the rate of 200 S.F. per gallon.
- 3) Contractor shall notify Public Works (835-6130) 24 hours in advance of pouring concrete for inspection.
- 4) Sidewalks shall be a min. 4" thick with expansion joints at 10' max. spacing and control joints at 5' intervals.
- 5) Expansion joints will be 1/2" premolded and extend from subgrade to 1/2" below top of finished surface. The upper 1/2" shall be open and edges of new concrete shall be rounded to 1/4" radii.
- 6) When replacing sidewalk due to trip hazards, utilize TripStop expansion joint.
- 7) Any tree roots encountered must be pruned to the below the bottom of the aggregate base (9" from top).
- 8) Contractor shall notify Public Works (835-6226) 24 hours in advance of pouring for inspection.

UPDATED 4/19/2017

Revisions	Name						
	Date						

Checked By: SAM
 Drawn By: SAM
 Drawing Scale: NTS
 Sheet Number: SD-10

Driveway Approach & Sidewalk Specifications



STANDARD DETAILS
DRIVEWAY APRON
WITH SIDEWALK

SPECIFICATIONS:

- 1) Concrete shall be a 6-sack mix with Meramec sand and gravel (max. size 1"), shall attain strength of 3,500 psi in 3 days, and shall have a 3.5" +/- 0.5" slump permitted, 4%-7% air entrained. COLOR SHALL MATCH EXISTING.
- 2) Driveway approaches shall be 6" thick (residential) or 8" thick (commercial) concrete over 4" of compacted limestone (1" minus).
- 3) The thickness of the first section of sidewalk on each side of the entrance shall be increased to match the driveway approach pavement thickness.
- 4) Sidewalks shall be a min. 5" thick with expansion joints at 10' max. spacing and control joints at 5' intervals.
- 5) Expansion joints will be 1/2" premolded and extend from subgrade to 1/2" below top of finished surface. The upper 1/2" shall be open and edges of new concrete shall be rounded to 1/4" radii.
- 6) Streetside face of approach shall be approximately 1/4" above grade of curblines
- 7) Curing shall be accomplished by spraying Type 1-D curing compound at the rate of 200 S.F. per gallon.
- 8) Contractor shall notify Public Works (835-6226) 24 hours in advance of pouring concrete for inspection.

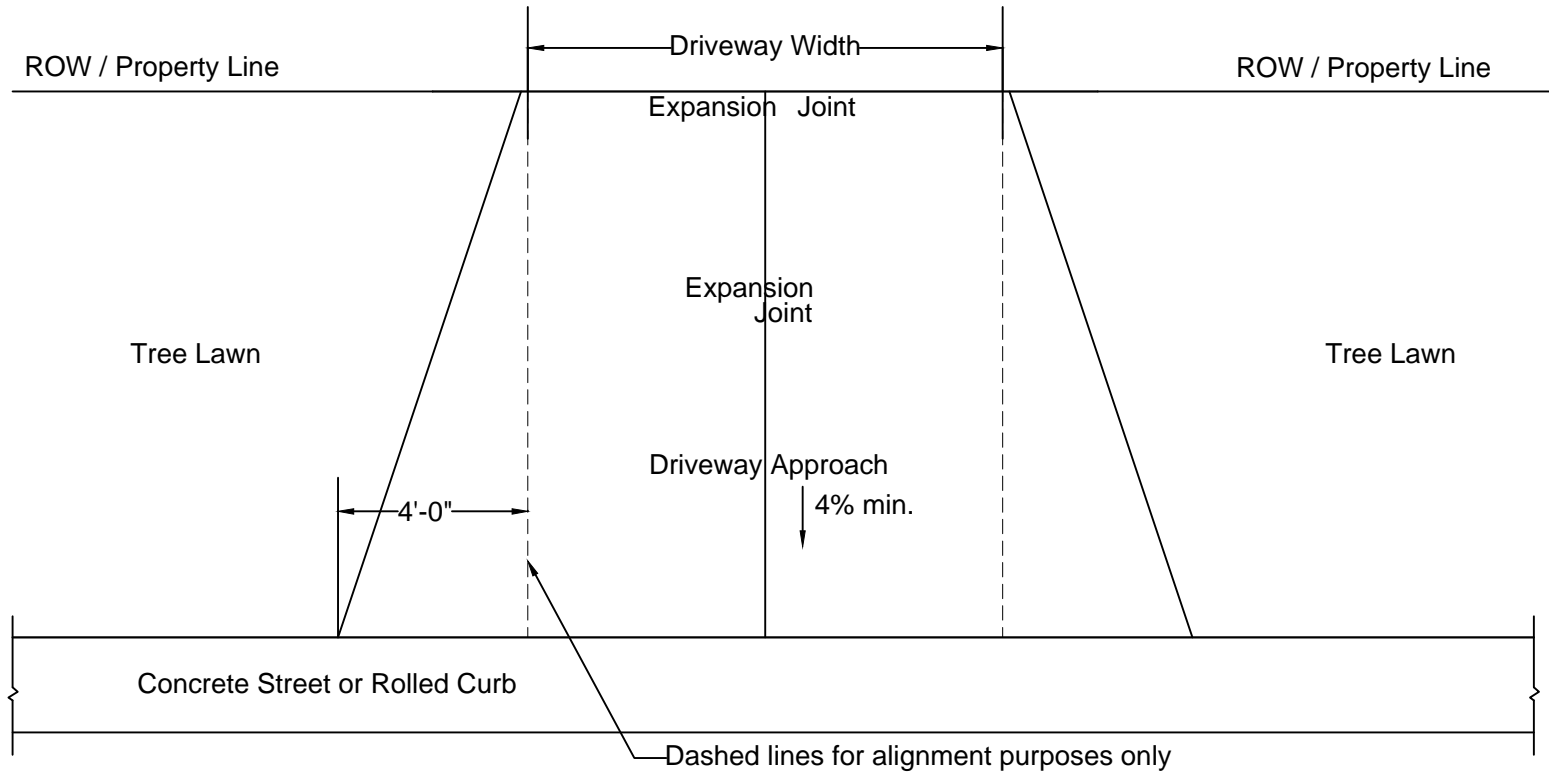
UPDATED 4/11/2016

Revisions		
	Date	Name

Checked By: **SAM**
 Drawn By: **SAM**
 Drawing Scale: **NTS**
 Sheet Number: **SD-11**

Driveway Approach Specifications

(No Sidewalk)



STANDARD DETAILS
DRIVEWAY APRON

SPECIFICATIONS:

- 1) Concrete shall be a 6-sack mix with Meramec sand and gravel (max. size 1"), shall attain strength of 3,500 psi in 3 days, and shall have a 3.5" +/- 0.5" slump permitted, 4%-7% air entrained. COLOR SHALL MATCH EXISTING.
- 2) Driveway approaches shall be 6" thick (residential) or 8" thick (commercial) concrete over 4" of compacted limestone (1" minus).
- 3) Expansion joints will be 1/2" premolded and extend from subgrade to 1/2" below top of finished surface. The upper 1/2" shall be open and edges of new concrete shall be rounded to 1/4" radii.
- 4) Streetside face of approach shall be approximately 1/4" above grade of curblines
- 5) Curing shall be accomplished by spraying Type 1-D curing compound at the rate of 200 S.F. per gallon.
- 6) Contractor shall notify Public Works (835-6226) 24 hours in advance of pouring concrete for inspection.

Revisions	Date	Name

Checked By: **SAM**
 Drawn By: **SAM**
 Drawing Scale: **NTS**
 Sheet Number:
SD-12